



UNDERWATER LIGHTS SL-40 SERIES



TYPE

SPECIFICATIONS

CONSTRUCTION: Cast brass body and cap; Brass nickel-plated liquid tight straight bushing
-AB models feature cast brass aiming bracket with large black thumb screws

LENS: High impact clear tempered flat glass

LAMP SUPPLIED: 20w MR11 ULTRA FL(FTD); 10,000 hours average rating (35w max.)

LAMP OPTIONS: 2w Arrow MR11 LED (-LED); 50,000 hours average rating, 35w MR11 FL(FTH); 2000 hours average rating

SOCKET: High temperature ceramic GU5.3 bi-pin with 250°C silicone lead wires

WIRING: 15 feet 18/2 SJTOW cord (available up to 50 feet)

MOUNTING: Surface mount aiming bracket on -AB models only

FINISH: Unfinished brass

Optional finishes: Black Acid Treatment (-BAT) & Brass Acid Rust (-BAR)



SL-40-ULT

SL-40-SMAC-ULT

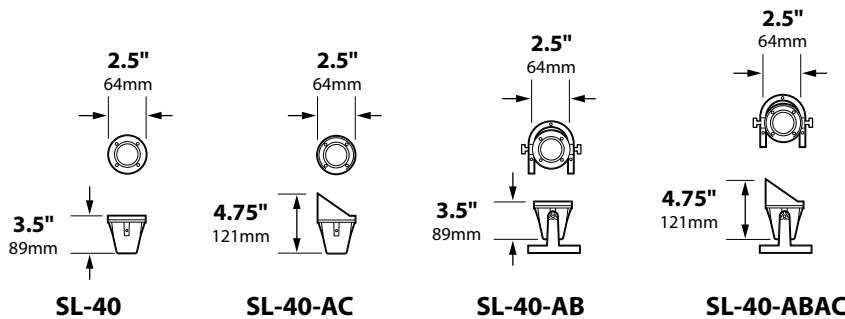
ORDERING INFORMATION

CATALOG NO.	DESCRIPTION	LAMP SUPPLIED	SHIP WEIGHT
SL-40-ULT	Cast Brass Underwater Light	20w Ultra FL(FTH)	3.0 lbs.
SL-40-AB-ULT	Cast Brass Underwater Light, Aim Bracket	20w Ultra FL(FTH)	5.0 lbs.
SL-40-AC-ULT	Cast Brass Underwater Light, Angle Cap	20w Ultra FL(FTH)	4.0 lbs.
SL-40-ABAC-ULT	Cast Brass Underwater Light, Aim Bracket, Angle Cap	20w Ultra FL(FTH)	5.0 lbs.

-SM Add to catalog number for side mount cord entry

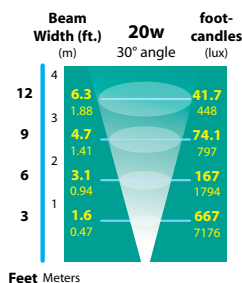


SL-40-AB-ULT



SL-40-ABACULT-BAT

LIGHT DISTRIBUTIONS AND PHOTOMETRICS



20w MR11 FL (FTD)
FOR SL-40 SERIES

UL 676

IP68

CE



ACCESSORIES

FA-11-SL-40-BLUE	Blue Tempered Glass Lens
FA-11-SL-40-GREEN	Green Tempered Glass Lens
FA-11-SL-40-RED	Red Tempered Glass Lens
FA-11-SL-40-AMBER	Amber Tempered Glass Lens
FA-11-SL-40-WL	White Flashed Opal Tempered Glass Lens
FA-154	Brass Adjustable Aiming Bracket
FA-155-CST	Cast Brass Angle Collar

ADDITIONAL SJTOW CORD Sold in 5 foot lengths, not to exceed total of 50 feet. Add total number of feet to catalog number.

JOB INFORMATION

Type: _____ Date: _____

Job Name: _____

Cat. No.: _____

Lamp(s): _____

Specifier: _____

Contractor: _____

Notes: _____

FOCUS INDUSTRIES INC.
25301 COMMERCENTRE DRIVE
LAKE FOREST, CA 92630

www.focusindustries.com
sales@focusindustries.com
(949) 830-1350 • FAX (949) 830-3390

Black Texture (Standard)	Antique Verde	Bronze Texture	Camel	White Texture	Hunter Texture	Rust	Weathered Iron	Weathered Brown	Stucco	Rubbed Verde	Chrome Powder	Terra Cotta	Acid Rust	Acid Verde	Black Acid Treatment
-BLT	-ATV	-BRT	-CAM	-WTX	-HTX	-RST	-WIR	-WBR	-STU	-RBV	-CPR	-TRC	-BAR/CAR	-BAV/CAV	-BAT